



Concrete Yield Capacity: 124 cu/ft

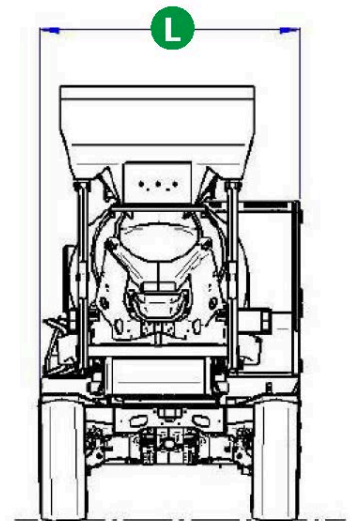
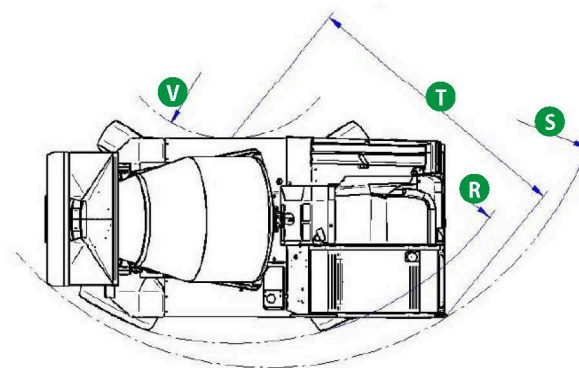
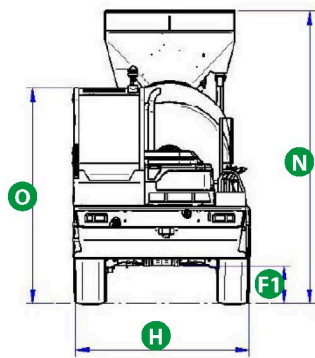
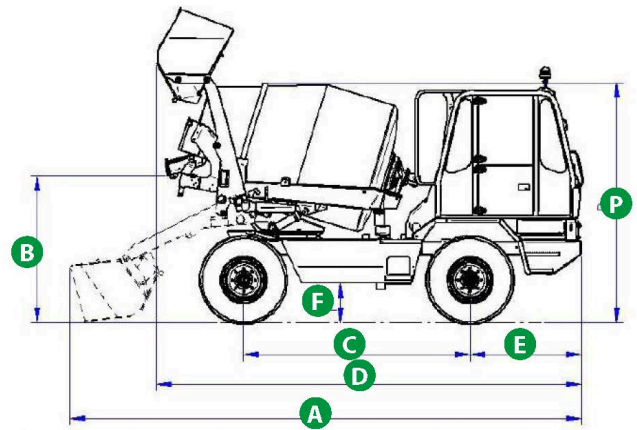
Drum Volume: 176 cu/ft

Loading Bucket Volume: 25 cu/ft

Water Tank Capacity: 246 gallons

Water Pump Capacity: 66 gallons

PERFORMANCE		CONFIGURATION	
Unladen Weight (lbs)	16,314	ROPS Cab	•
Concrete yield capacity (cu/ft)	124	Pedal Inching-Control	•
Drum Volume (cu/ft)	176	Hydrostatic Transmission	•
Loading bucket volume (cu/ft)	25	All wheel steering/ 4WD	•
Water pump capacity (g/min)	66	Three steering modes	•
Water tank capacity (g)	246	Standard Tires	500/45-20
Maximum unloading height w/ discharge chute (ft)	6' 9"		Standard •
Maximum unloading height w/o discharge chute (ft)	7' 5"		
Drum rotation speed (tr/m)	0±18		
POWERTRAIN			
Engine	Deutz TCD3.6		
Engine Power (HP)	101		
Anti pollution technology	Euro IV		
Fuel Tank Capacity (g)	53		
AdBlue Tank Capacity (g)	5		
Axles	Drop portal		
Automatic Parking Brake	•		
Maximum Gradeability: Fully laden (%)	50		
Maximum transversal slope (%)	15		
Maximum speed (mph)	25		



A (ft)	21' 3"	E (ft)	4' 5"	L (ft)	7' 6"	R (ft)	13' 9"
B (ft)	6' 9"	F (ft)	1' 5"	O (ft)	9' 1"	S (ft)	15' 6"
C (ft)	9' 0"	F1 (ft)	1' 5"	N (ft)	12' 8"	T (ft)	11' 9"
D (ft)	17' 10"	H (ft)	7' 7"	P (ft)	10' 2"	V (ft)	5' 3"

The technical data and other information in this document are not binding. We reserve the right to modify our products without prior notice as part of our policy of continuous improvement