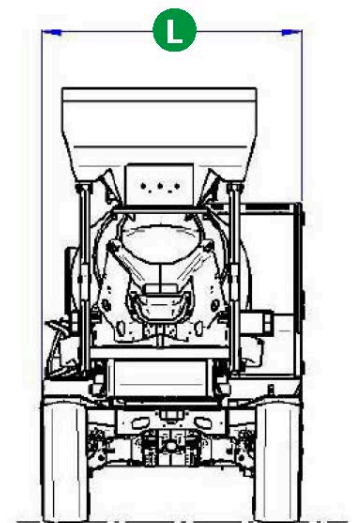
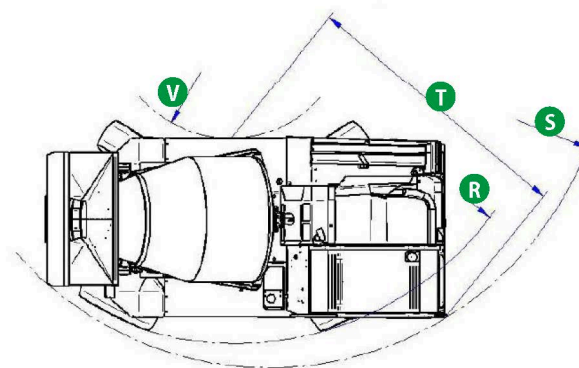
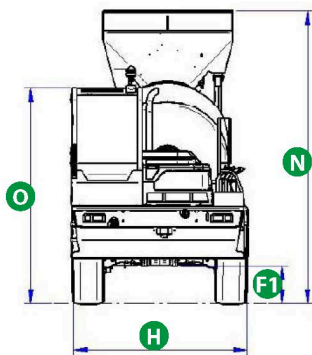
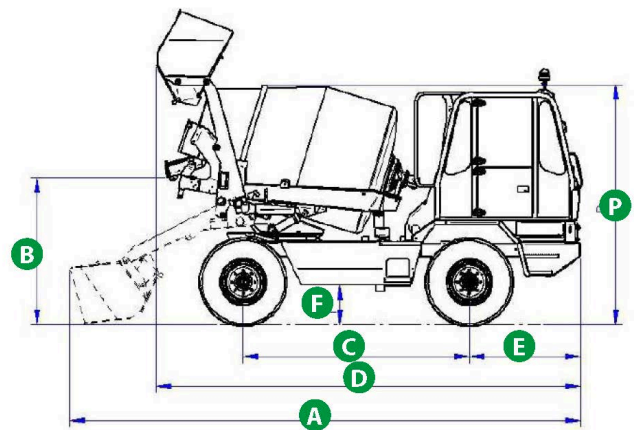




**Concrete Yield Capacity:** 4.6 cu/yd  
**Drum Volume:** 6.5 cu/yd  
**Loading Bucket Volume:** 1 cu/yd  
**Water Tank Capacity:** 66 gallons

PERFORMANCE	
Unladen Weight (lbs)	16,314
Concrete yield capacity (cu/yd)	4.6
Drum Volume (cu/yd)	6.5
Loading bucket volume (cu/yd)	1
Water pump capacity (g/min)	66
Water tank capacity (g)	246
Maximum unloading height w/ discharge chute (ft)	6' 9"
Maximum unloading height w/o discharge chute (ft)	7' 5"
Drum rotation speed (tr/m)	0±18
POWERTRAIN	
Engine	Deutz TCD3.6
Engine Power (HP)	101
Anti pollution technology	Euro IV
Fuel Tank Capacity (g)	53
AdBlue Tank Capacity (g)	5
Axles	Drop portal
Automatic Parking Brake	•
Maximum Gradeability: Fully laden (%)	50
Maximum transversal slope (%)	15
Maximum speed (mph)	25

CONFIGURATION	
ROPS Cab	•
Pedal Inching-Control	•
Hydrostatic Transmission	•
All wheel steering/ 4WD	•
Three steering modes	•
Standard Tires	500/45-20
	Standard •



A (ft)	21' 3"	E (ft)	4' 5"	L (ft)	7' 6"	R (ft)	13' 9"
B (ft)	6' 9"	F (ft)	1' 5"	O (ft)	9' 1"	S (ft)	15' 6"
C (ft)	9' 0"	F1 (ft)	1' 5"	N (ft)	12' 8"	T (ft)	11' 9"
D (ft)	17' 10"	H (ft)	7' 7"	P (ft)	10' 2"	V (ft)	5' 3"

The technical data and other information in this document are not binding. We reserve the right to modify our products without prior notice as part of our policy of continuous improvement