



Concrete Yield Capacity: 4.6 cu/yd

Drum Volume: 6.5 cu/yd

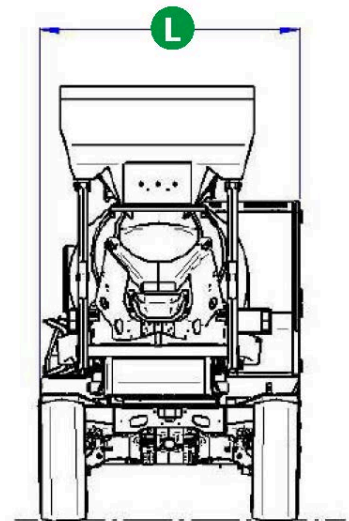
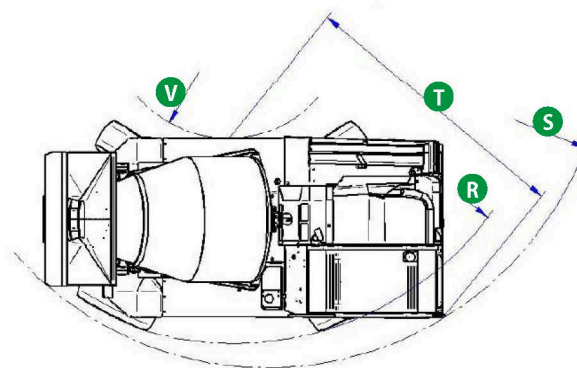
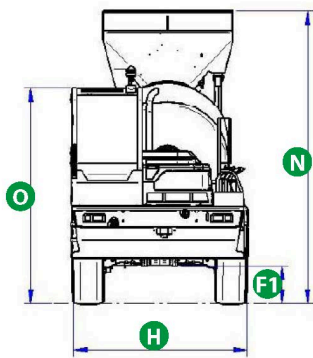
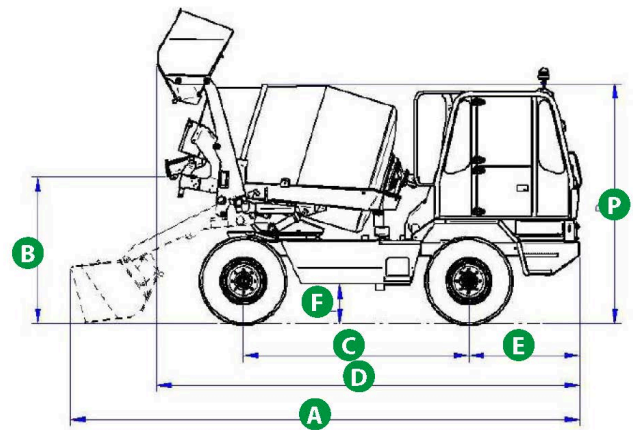
Loading Bucket Volume: .93 cu/yd

Water Tank Capacity: 246 gal

Water Pump Capacity: 66 gal

PERFORMANCE		CONFIGURATION	
Unladen Weight (lbs)	16,324	ROPS Cab	•
Concrete yield capacity (cu/ft-gal)*	4.6	Pedal Inching-Control	•
Drum Volume (cu/ft-gal)	6.5	Hydrostatic Transmission	•
Loading bucket volume (cu/yd-gal)	.93	All wheel steering/ 4WD	•
Water pump capacity (g/min)	66	Three steering modes	•
Water tank capacity (g)	246	Standard Tires	18-19.5
Maximum unloading height w/ discharge chute (ft)	6' 10"	• Standard • Optional	
Maximum unloading height w/o discharge chute (ft)	7' 5"	*1.4 CU/YD (283 GAL) OF CONCRETE MADE IN LESS THAN 15 MINTUES	
Drum rotation speed (tr/m)	0÷18		

POWERTRAIN	
Engine	Deutz
Engine Power (HP)	101
Anti pollution technology	Euro IV
Fuel Tank Capacity (g)	53
AdBlue Tank Capacity (g)	5
Axles	Drop portal
Automatic Parking Brake	•
Maximum Gradeability: Fully laden (%)	50
Maximum transversal slope (%)	15
Maximum speed (mph)	25



A (ft)	21' 3"	E (ft)	4' 5"	L (ft)	7' 6"	R (ft)	13' 9"
B (ft)	6' 10"	F (ft)	1' 5"	O (ft)	9' 1"	S (ft)	15' 6"
C (ft)	9' 0"	F1 (ft)	1' 5"	N (ft)	12' 8"	T (ft)	11' 9"
D (ft)	17' 10"	H (ft)	7' 7"	P (ft)	10' 2"	V (ft)	5' 3"

The technical data and other information in this document are not binding. We reserve the right to modify our products without prior notice as part of our policy of continuous improvement

January 2023

IMPORTED & DISTRIBUTED BY



ams-merlo.com

803-327-4949
1205 Galleria Blvd., Rock Hill, SC 29730